

# Champion<sup>®</sup>

The Dishwashing Machine Specialists

Project \_\_\_\_\_  
Item No. \_\_\_\_\_  
Quantity \_\_\_\_\_

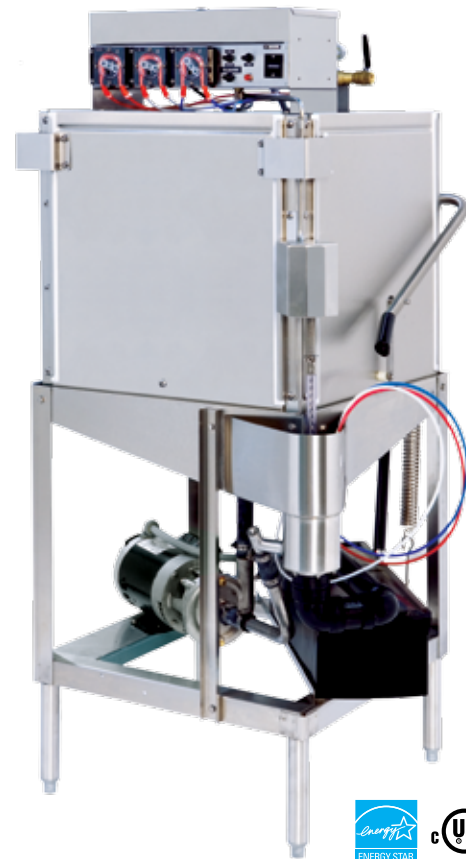
DL2000 MACHINE

## STANDARD FEATURES

- **NEW** Factory authorized startup
- **ENERGY STAR<sup>®</sup> Qualified**
- **Convertible corner to straight and straight to corner**
- 40 racks / 160 covers per hour
- Economical to operate
- Uses only .93 gallons of water per cycle
- All stainless steel construction assures longlife and years of trouble free operation
- Unique spray arm system features upper and lower stainless steel wash arms with reinforced end caps
- Top mounted controls include built-in chemical pumps and deliming system for dealing with scale
- Auto start/stop makes operation safe and easy
- New integrated scrap tray prevents food soil from entering drain system
- Airgap fill system
- 17" tall door opening

## DL2000

DL2000 Low Temp  
Dishwashing Machine



## SPECIFIER STATEMENT

Specified unit will be Champion DL2000 3 Door Lift low temperature, chemical sanitizing commercial dishwashers meet ETL, UL, and CUL sanitation and construction standards WITHOUT the use of BOOSTER or TANKHEATERS. The model is constructed entirely of stainless steel. Each unit automatically washes, rinses and sanitizes utensils in standard 19-3/4" x 19-3/4" racks. Units come with standard upper and lower stainless steel wash arms.

Champion Industries, Inc.  
3765 Champion Blvd., Winston-Salem, NC 27105  
Tel: 336/661-1556 Fax: 336/661-1979

[www.championindustries.com](http://www.championindustries.com)

# DL2000

DL2000 MACHINE

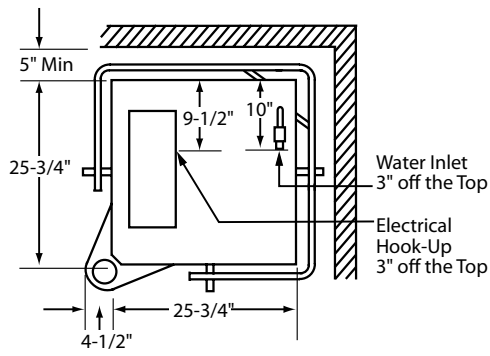
DL2000 Low Temp  
Dishwashing Machine

# Champion®

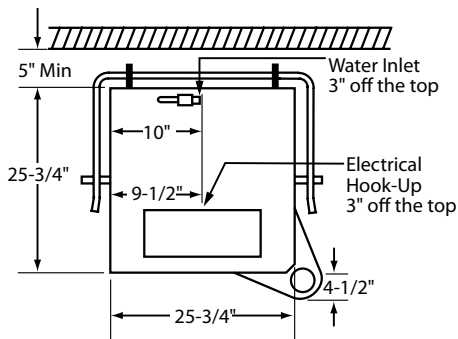
The Dishwashing Machine Specialists

Shipping weight crated: 218 lbs.

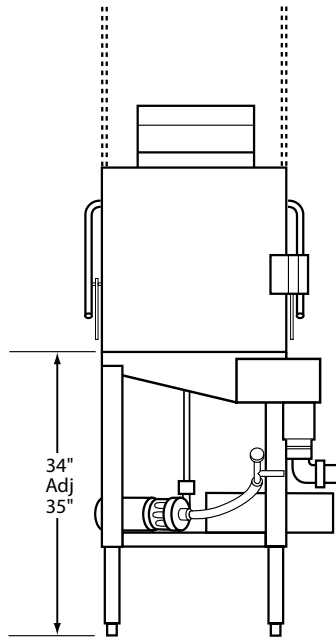
Dimensions shown in inches



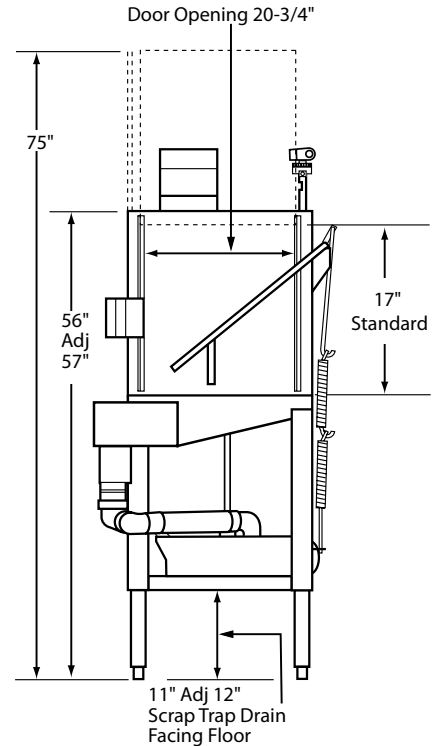
**Top View - Corner**



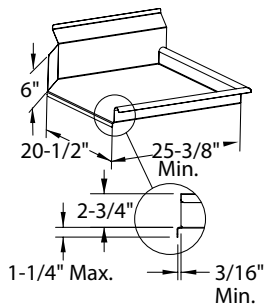
**Top View - Straight**



**Front View**



**Right View**



**Table Construction**

Utilities	
<b>Water</b>	1/2" water inlet
<b>Electrical</b>	115V; 16 amps
<b>Drain</b>	2" I.P.S.

**Warning:** Plumbing, electrical connections should be made by qualified personnel who will observe all the applicable plumbing, sanitary and safety codes and the National Electrical Code.

## SPECIFICATIONS

### Capacities

Racks per hr. (NSF rated)	40
Pump Capacity	52 Gal/197 LPM

### Motor horsepower

1 HP

### Water consumption

Gal. per hr. (max. use)	37
[liters/imp gal.]	[139/30.8]
Gal. per rack	0.93
[liters/imp gal.]	[3.53/0.77]

### Temperature °F/°C

Required	120/49
Recommended	140/60

### Time cycle in seconds

Wash	45
Rinse	30
Dwell	15
Total cycle	90

Due to an ongoing value analysis program at Champion, specifications contained in this catalog are subject to change without notice.

Champion Industries, Inc.,  
3765 Champion Blvd., NC 27105  
336/661-1556 • Fax: 336/661-1979  
ChampionIndustries.com

an Ali Group Company



The Spirit of Excellence